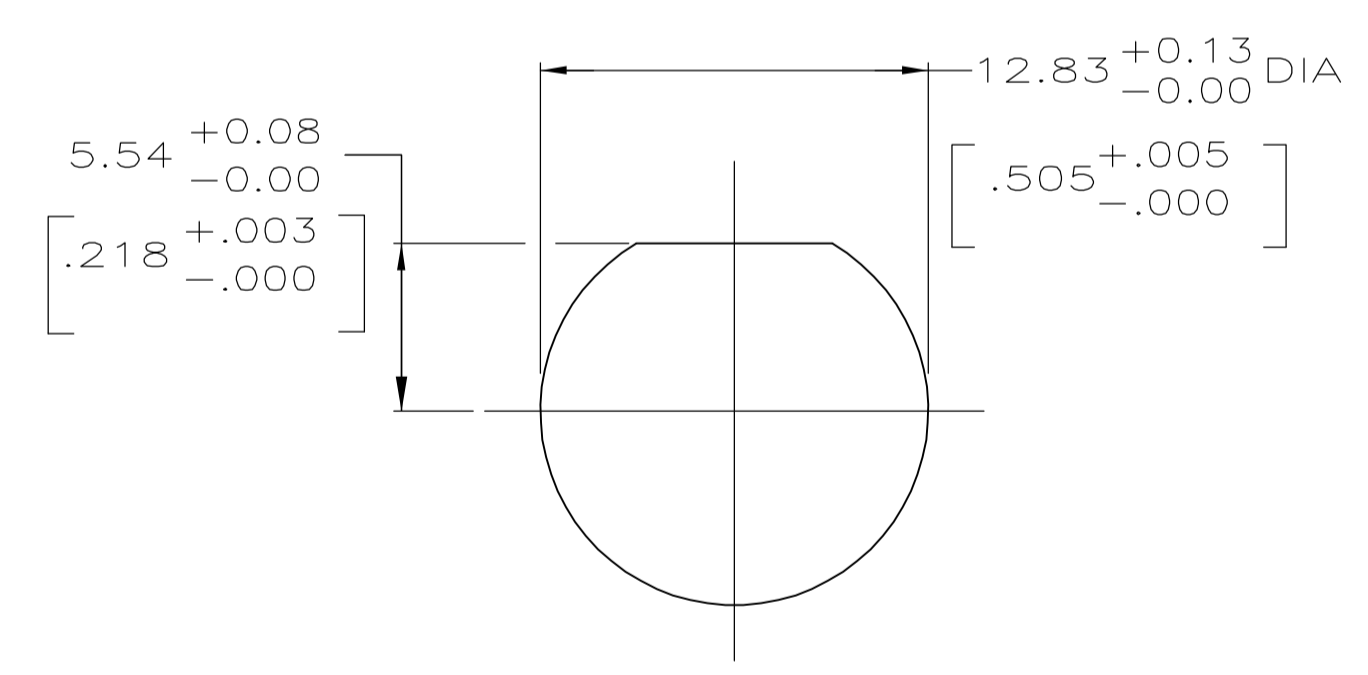
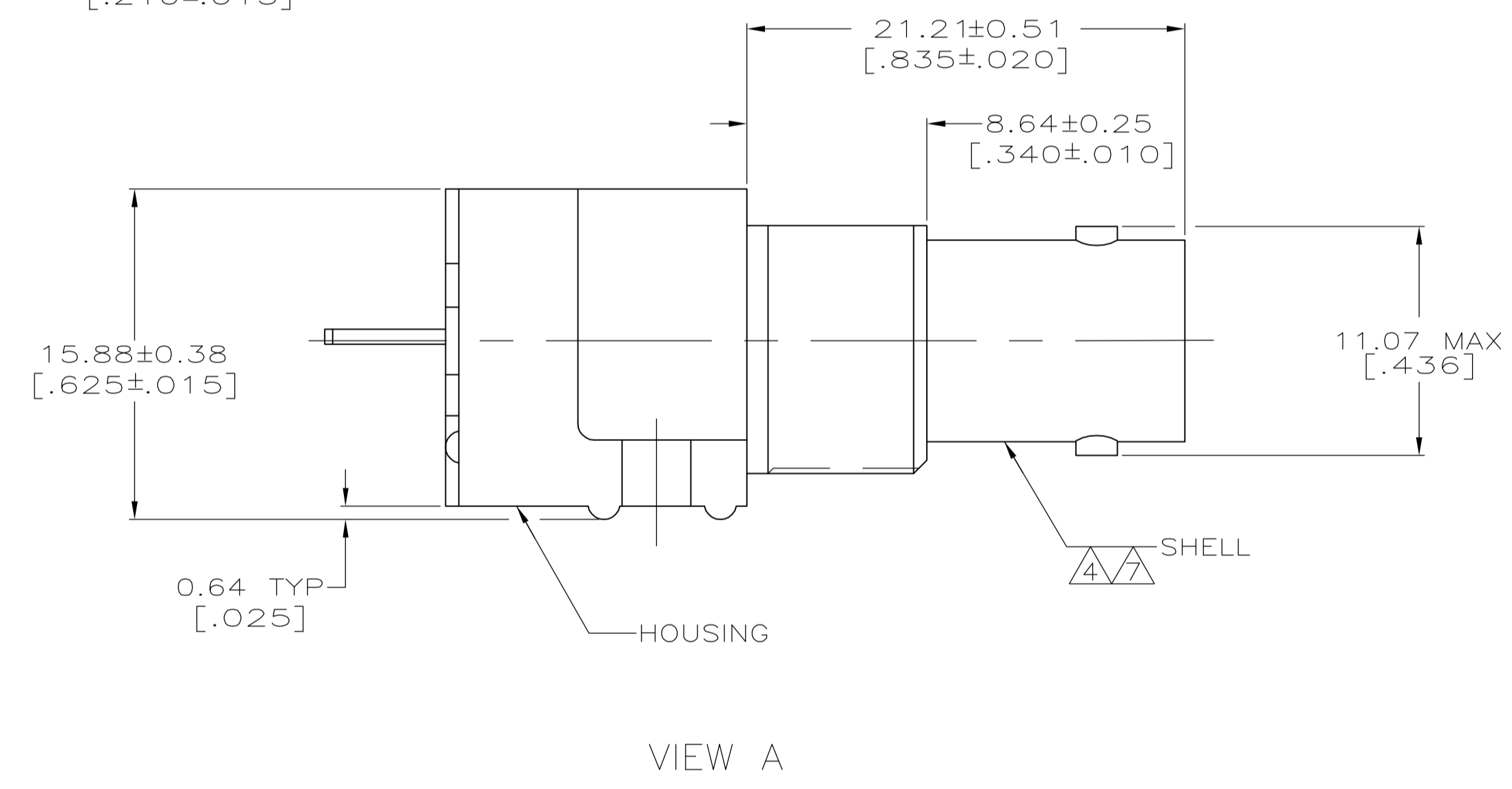


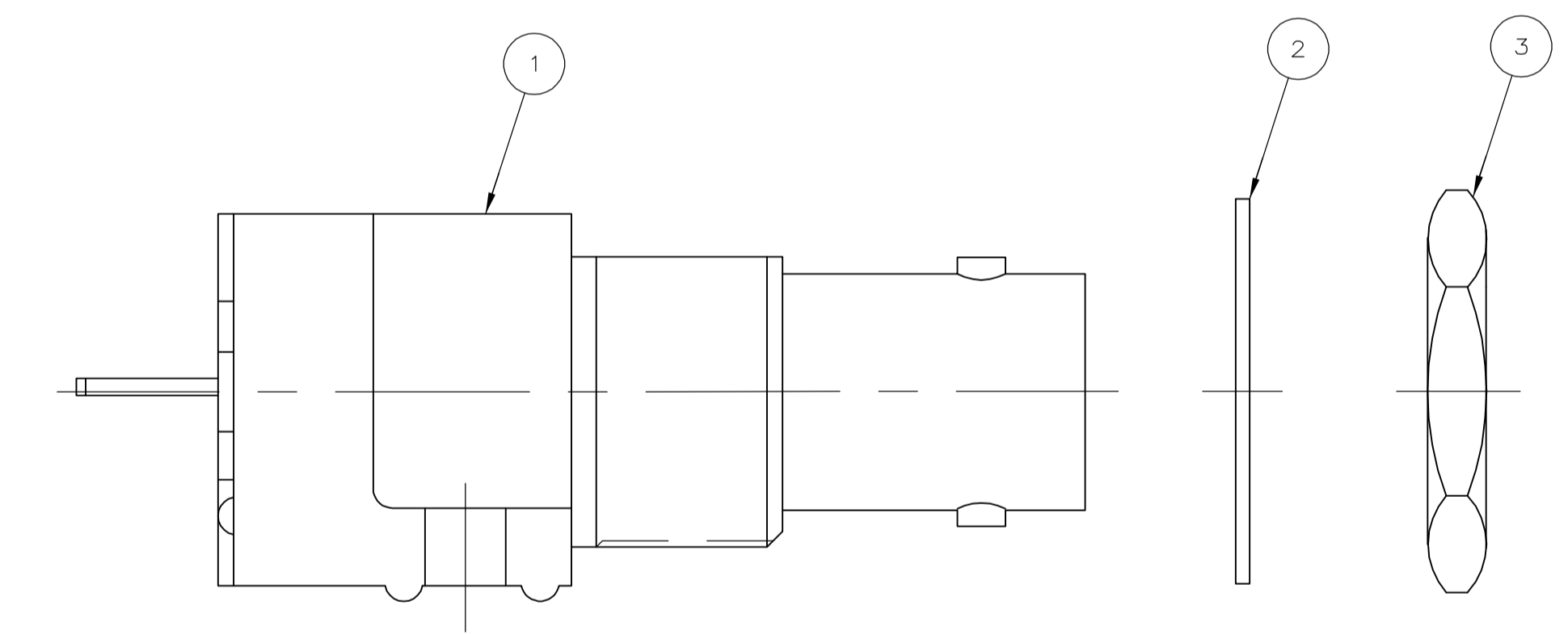
- 1 POLYESTER PBT PER MIL-M-24519, TYPE GPT-15F, UL94V-0 RATED, COLOR:NATURAL
 - 2 POLYESTER PBT PER MIL-M-24519, TYPE GPT-15F, UL94V-0 RATED, COLOR:BLACK
 - 3 POLYMETHYLPENTENE, GENERAL PURPOSE.
 - 4 ZINC PER QQ-Z-363.
 - 5 PHOSPHOR BRONZE PER QQ-B-750.
 - 6 BRASS PER ASTM-B-453.
 - 7 NICKEL PLATE PER QQ-N-290, 3.81 μm [.000150] MINIMUM THICK.
 - 8 TIN PLATE PER ASTM-B-545, 3.81 μm [.000150] MINIMUM THICK.
 - 9 GOLD PLATE PER MIL-G-45204, 0.76 μm [.000030] MINIMUM THICK.
10. SEE INSTRUCTION SHEET 2769.



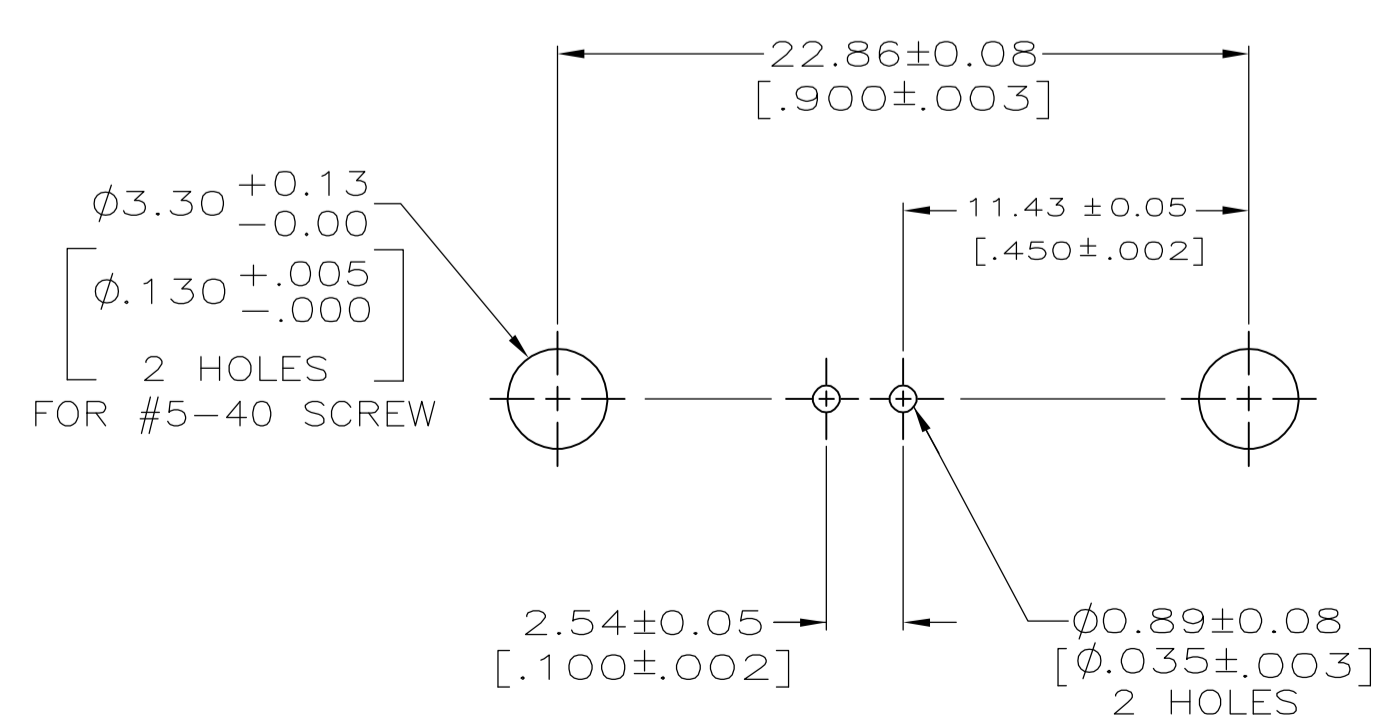
RECOMMENDED PANEL CUTOUT



VIEW A



VIEW B



PCB CONFIGURATION

				B	1-329631-2	1-329632-2	226987-7	226987-8
				A				226987-7
				A				226987-6
				A				226987-3
				B	1-329631-2	1-329632-2	226987-1	226987-2
				A				226987-1

CONTACT PLATING	HOUSING MATERIAL	VIEW	3 JAM NUT QTY=1	2 LOCKWASHER QTY=1	1 ASSEMBLY QTY=1	PART NUMBER
-----------------	------------------	------	-----------------	--------------------	------------------	-------------

THIS DRAWING IS A CONTROLLED DOCUMENT.

DIMENSIONS: INCHES	TOLERANCES UNLESS OTHERWISE SPECIFIED:	DW 05-03-91	APVD 8-7-91	NAME	RESTRICTED TO
0 PLC ± -	1 PLC ± -	2 PLC ± 0.20 [.008]	3 PLC ± -	4 PLC ± -	ANGLES ± -
MATERIAL SEE NOTES 1-6	FINISH SEE NOTES 7-11	WEIGHT	SCALE	SHEET	REV

Customer Drawing Scale 1:1 Sheet 1 of 1 Rev S